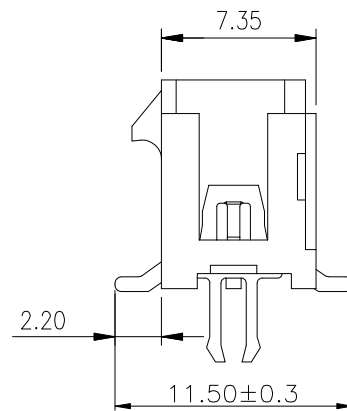
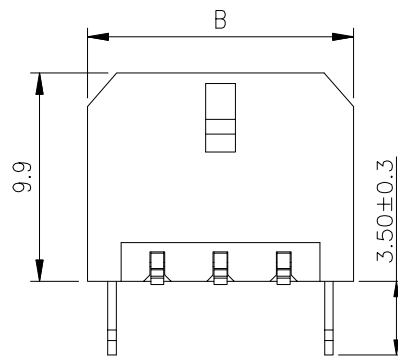


P.C.B LAYOUT

SPECIFICATIONS

| | |
|-----------------------|-----------------|
| Current Rating | :5A AC,DC |
| Voltage rating | :250V AC,DC |
| Temperature range | :-25°C~+85°C |
| Contact resistance | :10mΩ Max |
| Insulation resistance | :1000MΩ Min |
| Withstanding voltage | :1500VAC/minute |
| Pin Material | :Brass |
| Finished | :Tin Plated |
| Housing Material | :LCP UL94V-0 |
| Color | :Black |



| Circuits | Dimensions | |
|----------|------------|-------|
| | A | B |
| 2X01 | — | 6.65 |
| 2X02 | 3.00 | 9.65 |
| 2X03 | 6.00 | 12.65 |
| 2X04 | 9.00 | 15.65 |
| 2X05 | 12.00 | 18.65 |
| 2X06 | 15.00 | 21.65 |
| 2X07 | 18.00 | 24.65 |
| 2X08 | 21.00 | 27.65 |
| 2X09 | 24.00 | 30.65 |
| 2X10 | 27.00 | 33.65 |
| 2X11 | 30.00 | 36.65 |
| 2X12 | 33.00 | 39.65 |



DESCRIPTION(内容):
**3.0mm Wire to Board Header
 Tape & Reel(RoHS)**
 PART NO:
 (料 號) **CMF-W300-2xXX-SRC-CF438**
 DWG NO(圖號):

DRAWN(製圖):
 黃炳秋
 CHECKED(確認):
 黃炳秋
 APPROVAL(核准):
 邓文广

GENERAL TOLERANCE:
 (公差)
 .X .025 ANGLE
 .XX .020 ±'
 .XXX .010
 SCALE(比例):
 1:XX

REV:
A/3
 UNIT:
mm
 SIZE:
A4
 SHEET:
1/2

REV
1
2
3
4

DESCRIPTION
 修正展开尺寸11.50±0.3
 修正叉又尺寸3.50±0.3

DATE
2019.09.05
2020.04.22
2020.12.16